




fabric
signature

Classroom.

The functional and stylish Classroom provides excellent shelter and shade - a truly modular design for use in both single and multiple bays. Simple but very effective.



Typical applications

- Walkways
- Shaded waiting area
- Cycle shelter
- Covered market / retail
- Meet and greet

Specification.

Structure length can be increased by adding additional modules.

Multiple classroom canopies can be joined to extend the length to suit your requirements.

Drainage: Structure free drains

Wind rating: BS 6399 part 1, 2, 3
(50 year storm calculated by UK location)

Snow loading: BS 6399 part 1, 2, 3
(50 year storm calculated by UK location)

Fire rating: M2 / B1 / BS 7837, B-s2, d0
(class 0 / A2 fabric available on request)

Waterproof: Yes

Expected design life: 20+ years

Foundations: Simple structural reinforced concrete

Accessories available: Post protector, lighting, heat via third-party suppliers

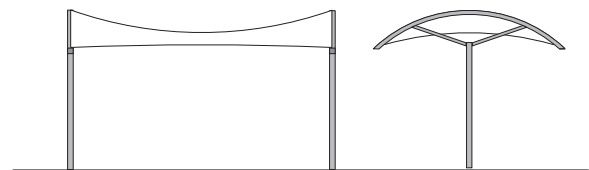
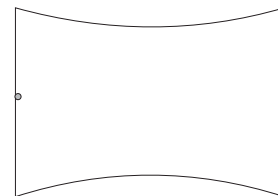
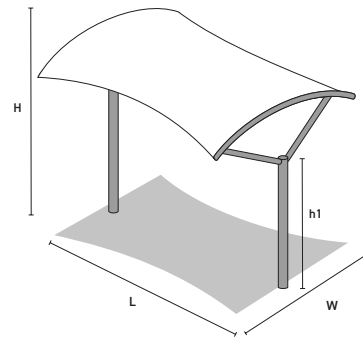
Maintenance: Virtually maintenance free. Simple clean and maintenance check every two years

Installation: 1-2 days per structure subject to site location and restrictions.

Supporting steel and framework: Mild steel legs certified with CK and UKCA. Galvanised or/and powder coating to any RAL colour. Marine grade (316) stainless steel fittings.

Accreditations: Canopy complies with ISO 9001 standard

Note: All canopies installed by Fabric Architecture will receive a 10 year warranty.



Dimensions

	Type 1 / Type 2	SF Value	L	W	H1	H
7m x 5m Module	PVC Type 1	SEDO 620	7m	5m	3m	4m
14m x 5m Double	PVC Type 1	SEDO 620	14m	3m	3m	4m

WHERE WE ARE

GET IN TOUCH